

SLIM BEZEL PCAP TOUCH SCREEN MONITOR



*The image is for reference only, the actual product shall prevail!

Product Features:

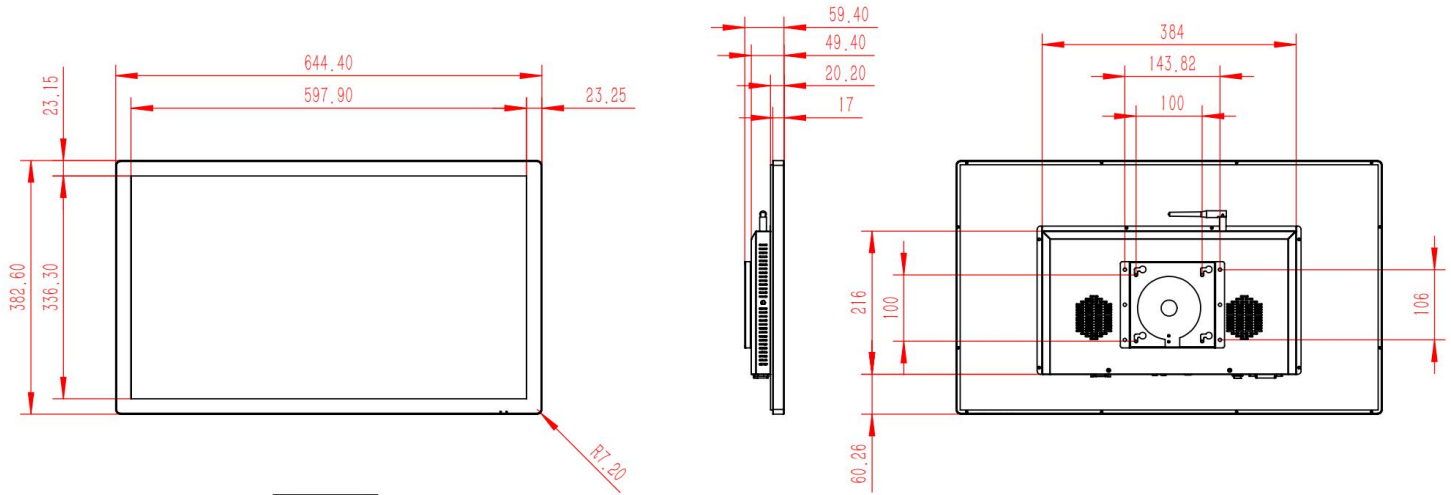
1. 32/43/55/65 inch available
2. Full HD display, IP55 design
3. PCAP touch technology, 10 touch points (55inch and 65inch is 20 touch points)
4. Flexible structure for standalone, android or PC system
5. Wide application for kiosk monitor, retail signage, kitchen display, etc.

| Items | V027PTD02 | V032PTD02 | V043PTD02 | V055PTD02 | V065PTD02 |
|-------------------------------|---|--|---------------------------|--------------------------|--------------------------|
| Display | | | | | |
| Panel Size | 27inch | 32inch | 43inch | 55inch | 65inch |
| Active Area | 598mm(W) × 336mm(H) | 697.6845mm(W) × 392.256mm(H) | 940.24mm(W) × 533.26mm(H) | 1209.6mm(W) × 680.4mm(H) | 1428.48(H) × 803.52(V)mm |
| Aspect Ratio | 16:9 | 16:9 | 16:9 | 16:9 | 16:9 |
| Contrast Ratio | 1400:1 | 4000:1 | 4000:1 | 4000:1 | 4000:1 |
| View angle | 178°(H/V) | 178°(H/V) | 178°(H/V) | 178°(H/V) | 178°(H/V) |
| Brightness | 450nits | 450nits | 450nits | 450nits | 450nits |
| Resolution | 1920*1080 | 1920*1080 | 1920*1080 | 3840*2160 | 3840*2160 |
| Panel Life | 50000hours | 100000hours | 100000hours | 100000hours | 100000hours |
| Support Color | 16.7M | 16.7M | 16.7M | 16.7M | 16.7M |
| Response Time | 8ms | 6ms | 6ms | 6ms | 6ms |
| Touch parameter | | | | | |
| Touch technology | PCAP Touch | | | | |
| Touch type | 10-point high precision (55inch and 65inch is 20 touch points) | | | | |
| Touch resolution | 4096*4096 | | | | |
| Touch accuracy | ±2mm (more than 90% touch area) | | | | |
| Touch Tool | finger,touch pen,soft pen or finger with gloves | | | | |
| Response Time | <6ms | | | | |
| Writing Height | <2mm | | | | |
| Operating system | Windows/Linux/Mac/Android/Chrome | | | | |
| NO system (default) | | | | | |
| HDMI*1, TOUCH USB*1, POWER*1 | | | | | |
| Android system options | | | | | |
| Android option 1 | CPU | RK3288 , quad core, main frequency 1.8GHz | | | |
| | RAM+ROM | Standard configuration 2G+8G, optional with 2+16G,4+32G,4+64G; | | | |
| | Android system | Android 7.1/Android 10 | | | |
| Android option 2 | CPU | RK3399 , hexa-core, main frequency 2.0GHz | | | |
| | RAM+ROM | Standard configuration 4G+32G, optional with 4+64G; | | | |
| | Android system | Android 7.1/Android 10 | | | |
| Android option 3 | CPU | RK3566 , quad core, main frequency 1.8GHz | | | |
| | RAM+ROM | Standard configuration 2G+16G, optional with 4+32G; | | | |
| | Android system | Android 11 | | | |
| Android option 4 | CPU | RK3568 , quad-core, main frequency 2.0GHz | | | |
| | RAM+ROM | Standard configuration 2G+16G, optional with 4+32G; | | | |
| | Android system | Android 11 | | | |
| Android option 5 | CPU | 972T , square core, main frequency 1.9GHz | | | |
| | RAM+ROM | Standard configuration 2G+16G, optional with 4+32G; | | | |
| | Android system | Android 9.0 | | | |
| Wireless | WIFI support | | | | |
| Bluetooth | 4.0 | | | | |
| Ethernet | 1,10M/100M self-adapting Ethernet | | | | |
| Ports | 2*USB,1*TF, 1*HDMI out, 1*LAN, 1*DC | | | | |
| System language | Chinese (Traditional/Simplified), English, Russian, French, Spanish, Portuguese, Arabic, Italian, Japanese, Korean, Polish, Thai, etc | | | | |

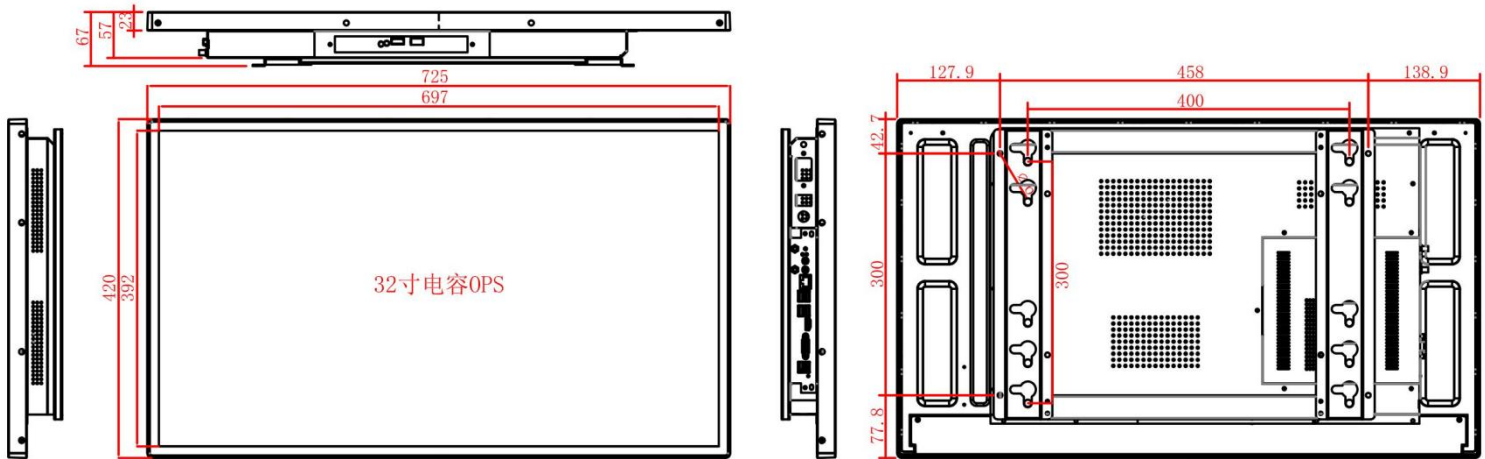
| PC system(optional) | | | | | |
|---------------------------|--|---------------|----------------|----------------|----------------|
| Processor (optional) | i3: i3-3110M/i3-3120M, dual core, frequency 2.4GHZ DDR3 i3-4000M,dual core, frequency 2.4GHZ DDR3 i3-6100U,dual core, frequency 2.3GHZ DDR3/DDR4 i5: i5-3210M/i5-3230M, dual core, frequency 2.5Ghz DDR3 I5-4200M,dual core, frequency 2.5Ghz DDR3 I5-6200U,dual core, frequency 2.5Ghz DDR3/DDR4 i7: i7-4600M,dual core, frequency 2.9Ghz DDR3 Any processor specs. can be customized | | | | |
| RAM (optional) | 4GB/8GB/16GB optional | | | | |
| Graphics | Intel UHD Graphics 600/630 | | | | |
| SSD/HDD (optional) | 128GB/256GB/512GB M.2 SATA SSD | | | | |
| USB ports | 6 | | | | |
| Ethernet port | 1*LAN RJ45(Gigabit) | | | | |
| Wireless | Wifi 802.11 a/b/g/n/ac 2.4GHz and 5GHz | | | | |
| Bluetooth | optional | | | | |
| Audio Ports | 1*3.5mm line out | | | | |
| Operation system | Windows 10 pro (trial version unlicensed) | | | | |
| Audio | | | | | |
| Speaker | 2×8W(8Ω) | | | | |
| Power Supply | | | | | |
| Voltage | AC 110V-240V, 50HZ/60HZ | | | | |
| Working power consumption | 65W | 70W | 75W | 85W | 96W |
| Standby power consumption | 0.5W | 0.5W | 0.5W | 0.5W | 0.5W |
| Environmental | | | | | |
| Operating Temperature | 0°C to 50°C | | | | |
| Storage Temperature | -10°C to 55°C | | | | |
| Operating Humidity | 20% to 80% non-condensing humidity | | | | |
| Storage Humidity | 20% to 90% non-condensing humidity | | | | |
| Physical specifications | | | | | |
| Panel Dimensions | 644*383*49.4mm | 725*420*57mm | 966*556*57mm | 1238*710*57mm | 1482*858*63mm |
| Packed Dimensions | 750*150*500mm | 795*515*140mm | 1040*640*140mm | 1315*795*140mm | 1610*980*180mm |
| Net Weight | 10kg | 12kg | 17kg | 27kg | 35KG |
| Packed Weight | 13kg | 15kg | 23kg | 33kg | 41kg |
| Wall Mount Dimensions | 400×300mm | 400×300mm | 400×400mm | 400×400mm | 400×400mm |
| Accessories | Power cable 1.5m*1, Touch USB cable*1, wall mount bracket*1, HDMI cable*1 | | | | |
| Certifications | CE FCC ROHS CB | | | | |
| Warranty | One year | | | | |

Technical Drawings:

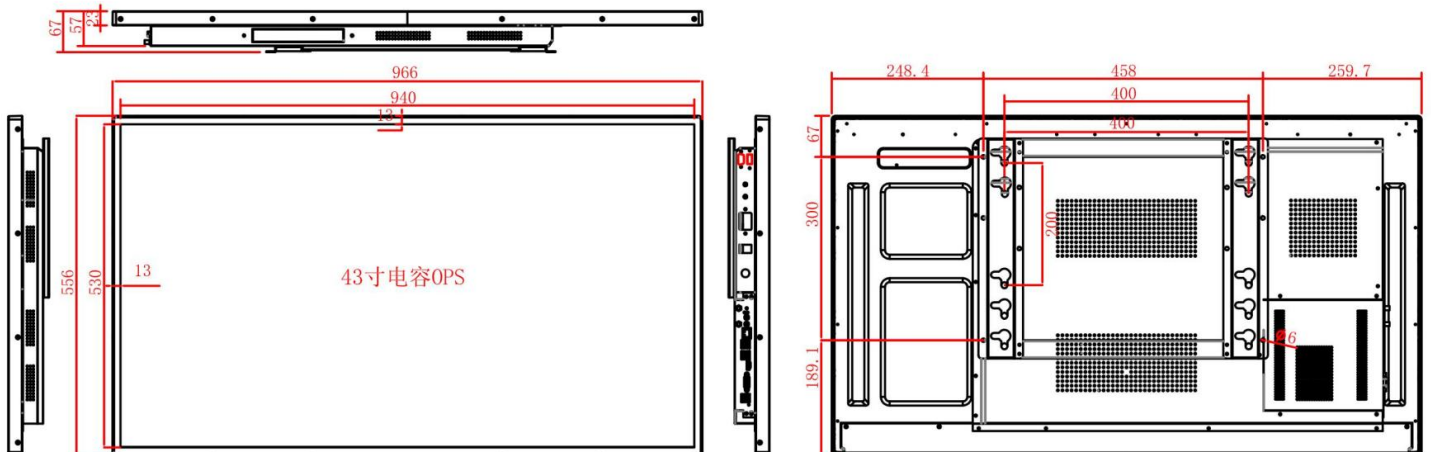
27inch drawing:



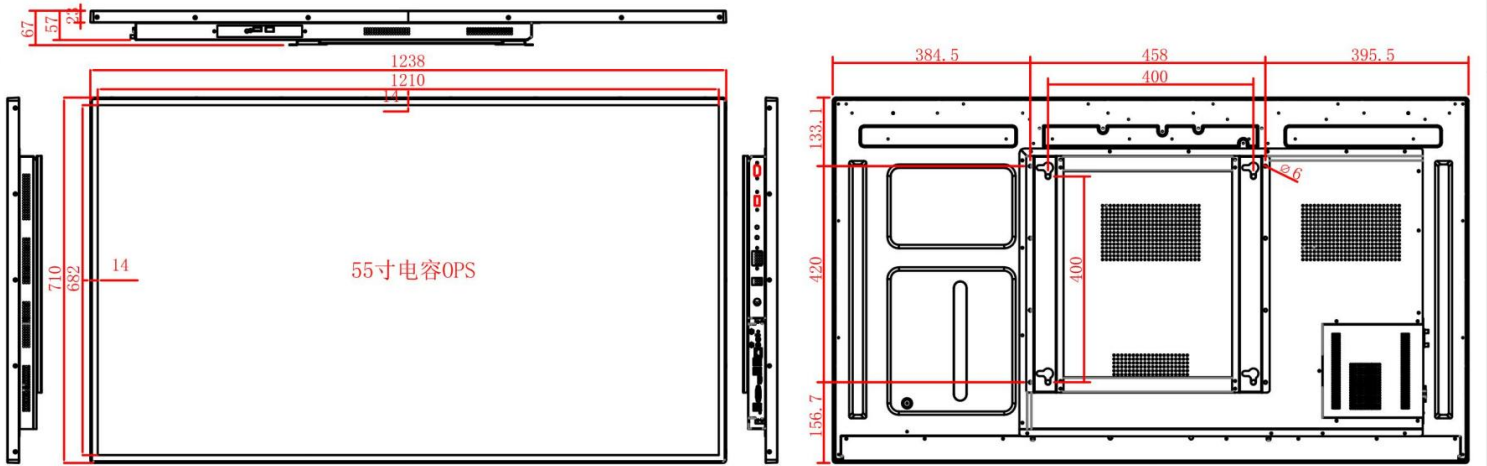
32inch drawing:



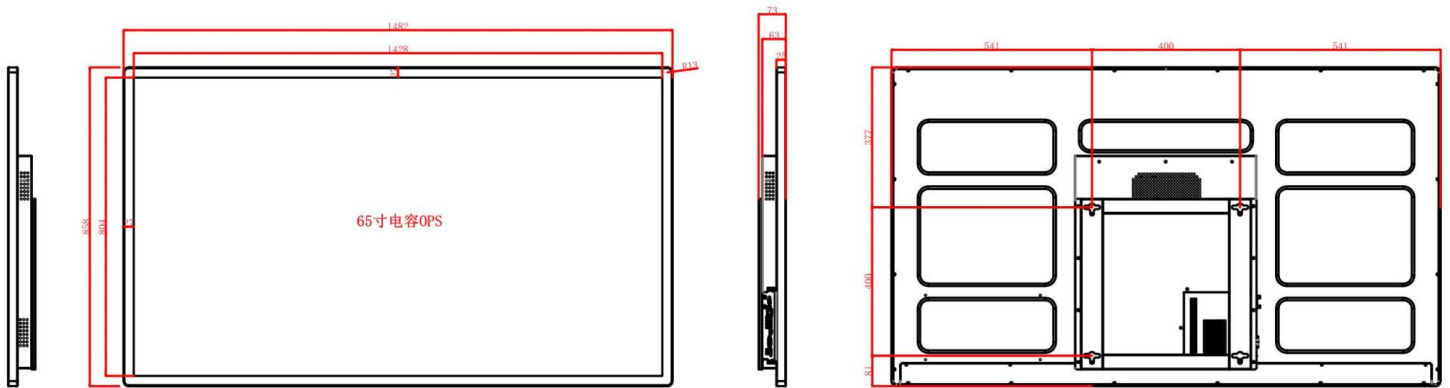
43inch drawing:



55inch drawing:



65inch drawing:



Statement:

The appearance, size and weight may be slight different from the actual product due to the configuration and manufacturing process, and the product images are only used for description. The delivery of the product shall be subject to the specific order details.