

Round LCD Display Digital Signage

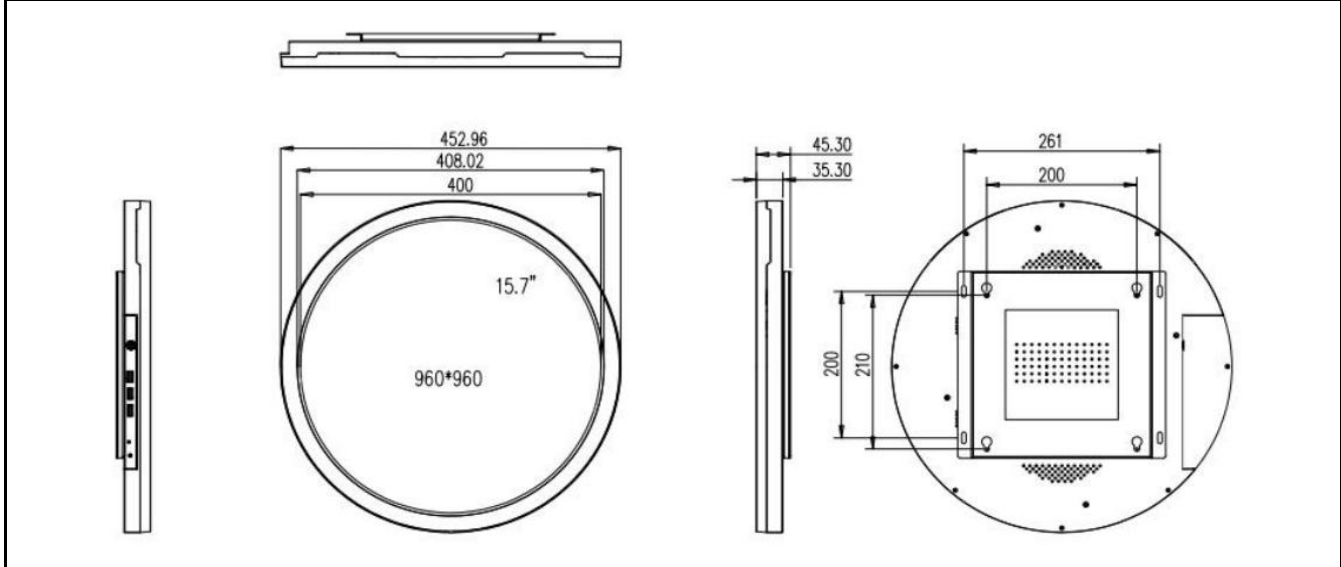


Size	15.7inch	23.6inch
Model	V015RSD01	V023RSD01
Outline dims.(L*W*T)	453*453*45.3(mm)	662.584x662.584x47.33mm
Display area	400*400(mm)	600.384mm (H) x600.384mm (V)
Resolution	960*960	1280x1280
Contrast	1000:1	1000:1
Brightness	700nits	700nits
Viewing angle	H178/V178	H178/V178
Display color	16.7M	16.7M
Service life	>60,000(hrs)	>60,000(hrs)
Power Connection	DC12V 5A 35W	AC 110 -240V 50/60Hz 120W
Power Consumption	≦ 35W	≦ 100W
Carton size	650*620*14mm	850*850*15mm
N.W	6kg	18kg
G.W	7.5kg	20kg
Framework	metal	metal
Color	black	black
Mounting	Wall Mount	
Touch parameter(optional)		
Touch technology	PCAP Touch	
Touch type	10-point high precision	

Touch resolution	4096*4096	
Touch accuracy	±2mm (more than 90% touch area)	
Touch Tool	finger,touch pen,soft pen or finger with gloves	
Response Time	<6ms	
Writing Height	<2mm	
Operating system	Windows/Linux/Mac/Android/Chrome	
Digital Signage Solutions(HDMI input/ android system/ windows system)		
1. HDMI input option		
NO SYSTEM	standalone version with HDMI input to connect to external PC/media box	
2. Android system options		
Android option 1	CPU	RK3288 , quad core, main frequency 1.8GHz
	RAM+ROM	Standard configuration 2G+8G, optional with 2+16G,4+32G,4+64G;
	Android system	Android 7.1/Android 10
Android option 2	CPU	RK3399 , hexa-core, main frequency 2.0GHz
	RAM+ROM	Standard configuration4G+32G, optional with 4+64G;
	Android system	Android 7.1/Android 10
Android option 3	CPU	RK3566 , quad core, main frequency 1.8GHz
	RAM+ROM	Standard configuration 2G+16G, optional with 4+32G;
	Android system	Android 11
Android option 4	CPU	RK3568 , quad-core, main frequency 2.0GHz
	RAM+ROM	Standard configuration 2G+16G, optional with 4+32G;
	Android system	Android 11
Android option 5	CPU	972T , quare core, main frequency 1.9GHz
	RAM+ROM	Standard configuration 2G+16G, optional with 4+32G;
	Android system	Android 9.0
Wireless	WIFI support	
Bluetooth	4	
Ethernet	1,10M/100M self-adapting Ethernet	
Ports	2*USB,1*TF, 1*HDMI out, 1*LAN, 1*DC	
System language	Chinese (Traditional/Simplified), English, Russian, French, Spanish, Portuguese, Arabic, Italian, Japanese, Korean, Polish, Thai, etc	
3. PC system options		
Processor (optional)	i3: i3-3110M/i3-3120M, dual core, frequency 2.4GHZ DDR3	
	i3-4000M,dual core, frequency 2.4GHZ DDR3	
	i3-6100U,dual core, frequency 2.3GHZ DDR3/DDR4	
	i5: i5-3210M/i5-3230M, dual core, frequency 2.5Ghz DDR3	
	I5-4200M,dual core, frequency 2.5Ghz DDR3	
	I5-6200U,dual core, frequency 2.5Ghz DDR3/DDR4	
	i7: i7-4600M,dual core, frequency 2.9Ghz DDR3	
Any processor specs. can be customized		
RAM (optional)	4GB/8GB/16GB optional	
Graphics	Intel UHD Graphics 600/630	
SSD/HDD (optional)	128GB/256GB/512GB M.2 SATA SSD	
USB ports	6	

Ethernet port	1*LAN RJ45(Gigabit)
Wireless	Wifi 802.11 a/b/g/n/ac 2.4GHz and 5GHz
Bluetooth	optional
Audio Ports	1*3.5mm line out
Operation system	Windows 10 pro (trial version unlicensed)
Audio	
Speaker	2*5W 8Ω
Environmental	
Operating Temperature	0°C to 40°C (32°F to 104°F)
Storage Temperature	-15°C to 55°C (-5°F to 131°F)
Operating Humidity	20% to 80% non-condensing humidity
Storage Humidity	20% to 90% non-condensing humidity
Accessories	Power cable 1.5m*1, wall mount bracket*1,Touch USB cable*1(optional), Remote control(optional),wifi antenna(optional)
Certifications	CE FCC ROHS

15.7inch drawing:



23.6inch drawing:

