

PCAP Touch Curved LCD Display



White color

black color

(LED lighting color is optional)

Product Features:

1. 23.6/32/39/43/49/55 inch available
2. Full HD & UHD display, IP55 design, metal framework with aluminium bezel
3. PCAP touch technology, 10 touch points
4. Flexible structure for standalone, android or PC system, VESA mounting
5. Curvature R1500 perfect application for gaming machines, self service kiosks, etc.

Items	V024CPD01	V032CPD01	V039CPD01	V043CPD01	V049CPD01	V055CPD01
Display						
Panel Size	23.6inch	32inch	39inch	43inch	49inch	55inch
Curvature	R 1 5 0 0	R 1 8 0 0	R1500	R1500	R1500	R1500
Active Area	521.395×293.284mm	698.4×392.85mm	852.48×479.52mm	941.148×529.416mm	1073.78×604mm	1209.6×680.4mm
Aspect Ratio	16:9	16:9	16:9	16:9	16:9	16:9
Contrast Ratio	3000:1	3000:1	4000:1	1400:1	1400:1	4000:1
View angle	178°(H/V)	178° (H/V)	178° (H/V)	178° (H/V)	178° (H/V)	178° (H/V)
Brightness	300nits	350nits	350nits	350nits	400nits	500nits
Resolution	1920*1080	1920*1080	2560×1440	3840×2160	3840×2160	3840×2160
Panel Life	50000hours	50000hours	50000hours	50000hours	50000hours	50000hours
Support Color	16.7M	16.7M	16.7M	16.7M	16.7M	16.7M
Response Time	8ms	8ms	15ms	6ms	8ms	8ms
Touch parameter						
Touch technology	PCAP Touch					
Touch type	10-point high precision					
Touch resolution	4096*4096					
Touch accuracy	±2.55mm (more than 90% touch area)					
Touch Tool	finger,touch pen,soft pen or finger with gloves					
Response Time	<6ms					
Writing Height	<2mm					
Operating system	Windows/Linux/Mac/Android/Chrome					
Touch monitor options						
I/O	HDMI/VGA/USB		HDMI*3、DP*1、USB-A*1、USB-B*1			
Audio	Audio in/earphone out					
OSD	(Side position) POWER, AUTO,UP,DOWN, MENU					
Language	English/Chinese					
Speaker	Optional (default without)					
Service life	50000hrs					
Power	DC 12V 4A	AC 220V~ 50/60Hz 0.5A	AC 100-240V~50/60Hz 2A			
Android system options						
Android option 1	CPU	RK3288 , quad core, main frequency 1.8GHz				
	RAM+ROM	Standard configuration 2G+8G, optional with 2+16G,4+32G,4+64G;				
	Android system	Android 7.1/Android 10				
Android option 2	CPU	RK3399 , hexa-core, main frequency 2.0GHz				
	RAM+ROM	Standard configuration4G+32G, optional with 4+64G;				
	Android system	Android 7.1/Android 10				
Android option 3	CPU	RK3566 , quad core, main frequency 1.8GHz				
	RAM+ROM	Standard configuration 2G+16G, optional with 4+32G;				
	Android system	Android 11				
Android option 4	CPU	RK3568 , quad-core, main frequency 2.0GHz				
	RAM+ROM	Standard configuration 2G+16G, optional with 4+32G;				
	Android system	Android 11				
Android option 5	CPU	972T , quare core, main frequency 1.9GHz				
	RAM+ROM	Standard configuration 2G+16G, optional with 4+32G;				

	Android system	Android 9.0
Wireless	WIFI support	
Bluetooth	4.0	
Ethernet	1,10M/100M self-adapting Ethernet	
Ports	2*USB,1*TF, 1*HDMI out, 1*LAN, 1*DC	
System language	Chinese (Traditional/Simplified), English, Russian, French, Spanish, Portuguese, Arabic, Italian, Japanese, Korean, Polish, Thai, etc	

PC system(optional)

Processor (optional)	i3: i3-3110M/i3-3120M, dual core, frequency 2.4GHZ DDR3 i3-4000M,dual core, frequency 2.4GHZ DDR3 i3-6100U,dual core, frequency 2.3GHZ DDR3/DDR4 i5: i5-3210M/i5-3230M, dual core, frequency 2.5Ghz DDR3 I5-4200M,dual core, frequency 2.5Ghz DDR3 I5-6200U,dual core, frequency 2.5Ghz DDR3/DDR4 i7: i7-4600M,dual core, frequency 2.9Ghz DDR3 Any processor specs. can be customized					
RAM (optional)	4GB/8GB/16GB optional					
Graphics	Intel UHD Graphics 600/630					
SSD/HDD (optional)	128GB/256GB/512GB M.2 SATA SSD					
USB ports	6					
Ethernet port	1*LAN RJ45(Gigabit)					
Wireless	Wifi 802.11 a/b/g/n/ac 2.4GHz and 5GHz					
Bluetooth	optional					
Audio Ports	1*3.5mm line out					
Operation system	Windows 10 pro (trial version unlicensed)					

Audio (only android and pc system have)

Speaker	2*5W					
---------	------	--	--	--	--	--

Power Supply

Voltage	AC 110V-240V, 50HZ/60HZ					
Working power consumption	20W	35W	42W	115W	83W	148W
Standby power consumption	0.1W	0.1W	0.1W	0.1W	0.1W	0.1W

Environmental

Operating Temperature	0°C to 50°C					
Storage Temperature	-20°C to 60°C					
Operating Humidity	20% to 80% non-condensing humidity					
Storage Humidity	10% to 90% non-condensing humidity					

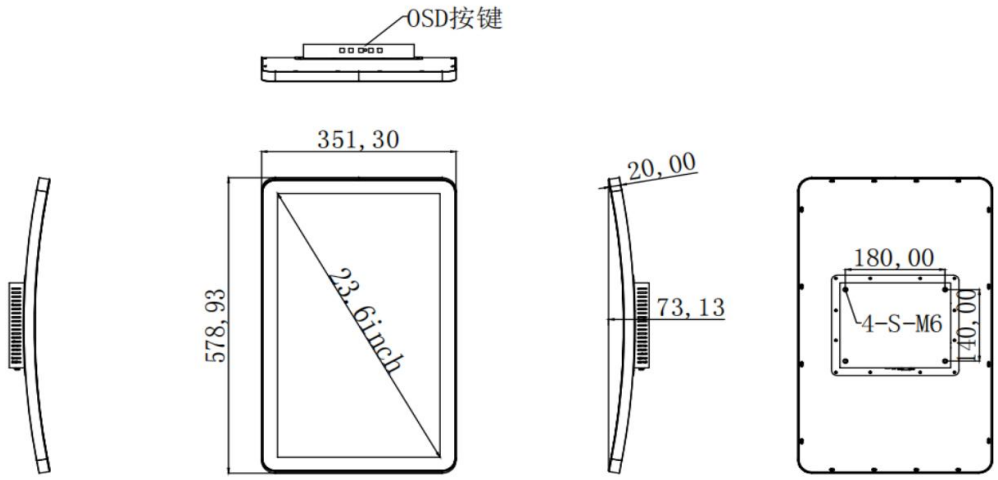
Physical specifications

Panel Dimensions	579.3mm X 351.5mm X 99.4mm	764.1mm X 457.2mm X 113.9 mm	938.7mm X 559.5mm X 143 mm	1004mm X 604.6mm X 154.5mm	1152.37mm X 684mm X 59mm	1271.3mm X 759.1mm X 85.4mm
Packed Dimensions	696mm X 468mm X 260mm	847mm X 557mm X 182 mm	1060mm X 690mm X 220mm	1054mm X 654.6mm X 204.5mm	1288mm X 827mm X 228mm	1435mm X 903mm X 323mm

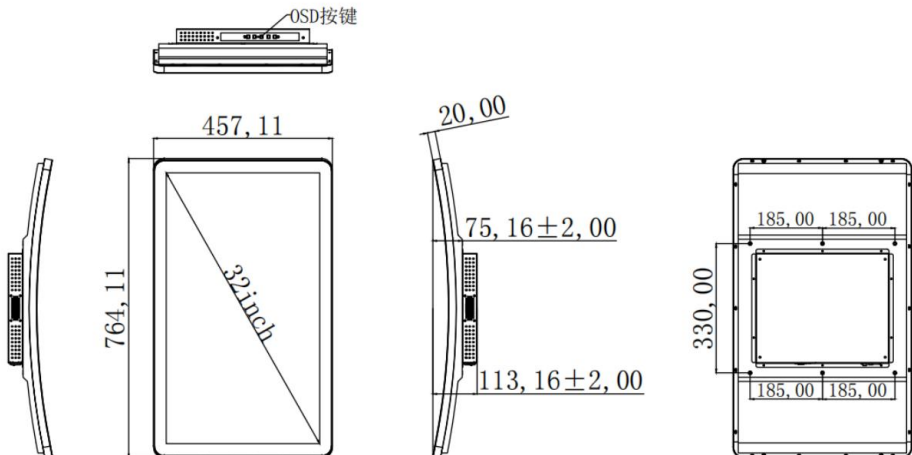
Net Weight	7.5kg	14.5kg	23kg	25kg	33kg	41kg
Packed Weight	9kg	17kg	26kg	28kg	38kg	45kg
VESA Mount Dimensions	180×40mm	370×330mm	300×270mm	520×270mm	300×300mm	300×300mm
Accessories	Power cable 1.8m*1, Touch USB cable*1, VESA bracket*1					
LED Lighting system	RGB seven colors; lighting mode: solid color, marquee, waterfall, breathing, gradient, etc.					
LED lighting display	Front/side/back					
LED controller	optional					
Color	Black/white					
Certifications	CE FCC ROHS CB					
Warranty	One year					

Technical Drawings:

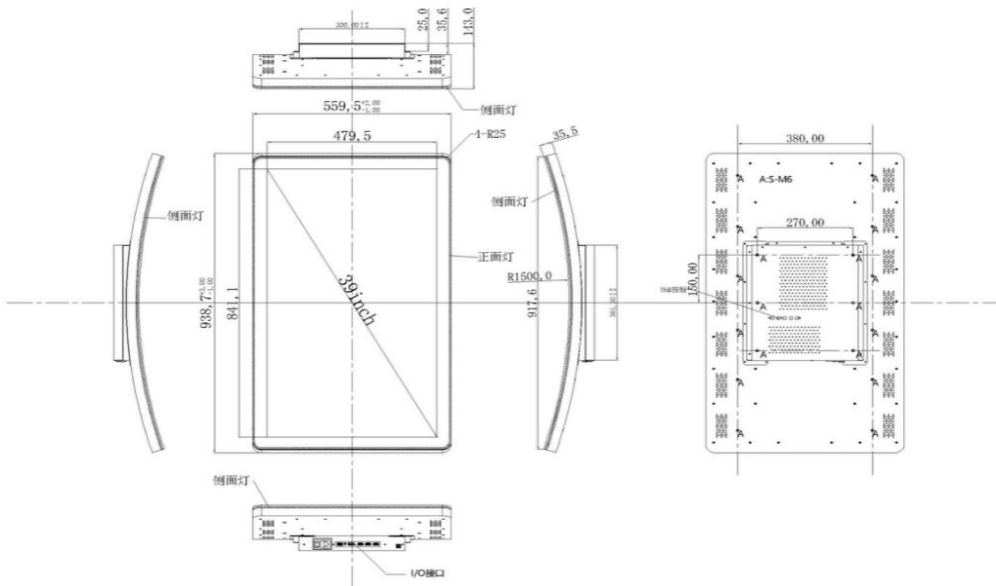
23.6inch drawing:



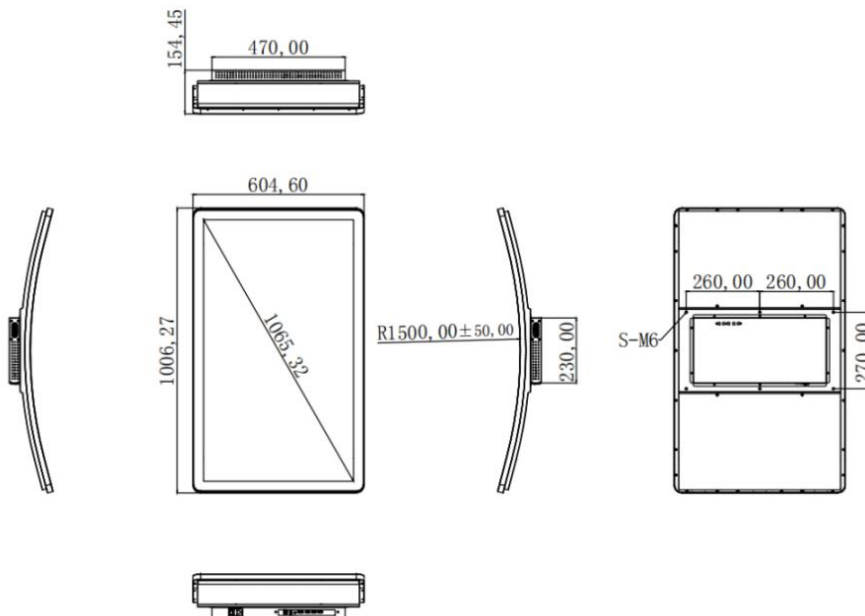
32inch drawing:



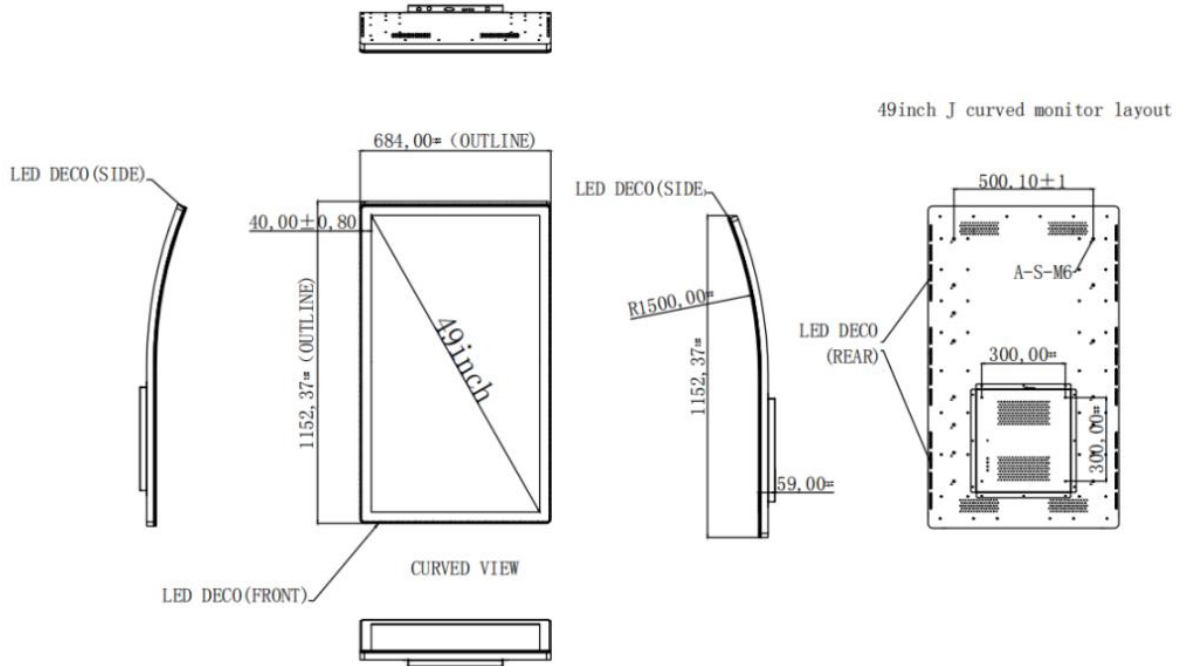
39inch drawing:



43inch drawing:

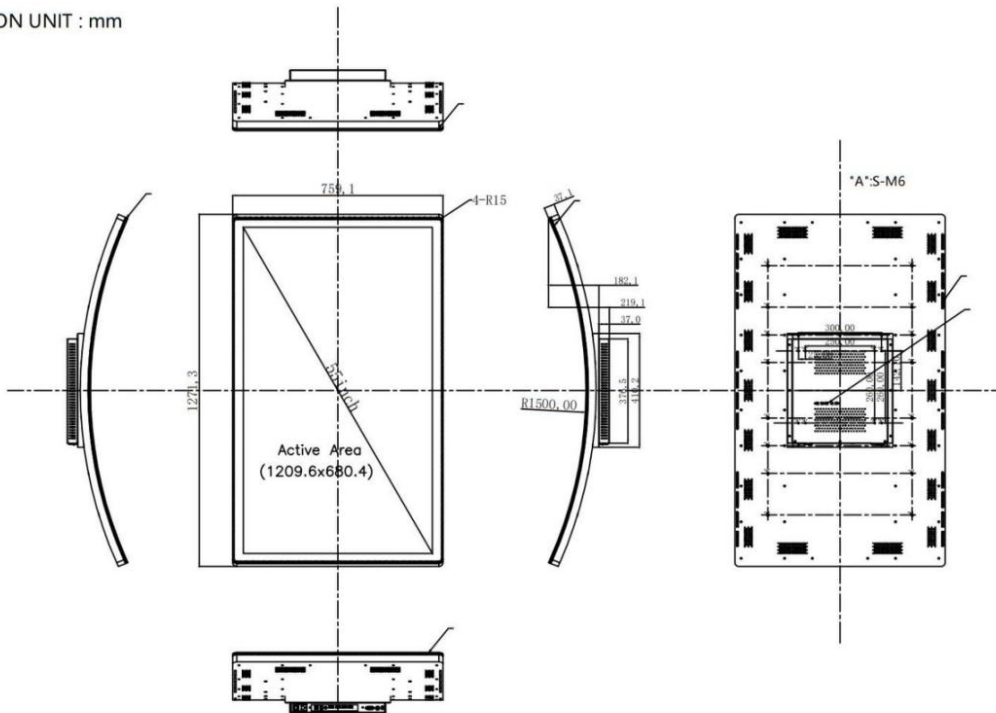


49inch drawing:



55inch drawing:

DIMENSION UNIT : mm



Statement:

The appearance, size and weight may be slight different from the actual product due to the configuration and manufacturing process, and the product images are only used for description. The delivery of the product shall be subject to the specific order details.