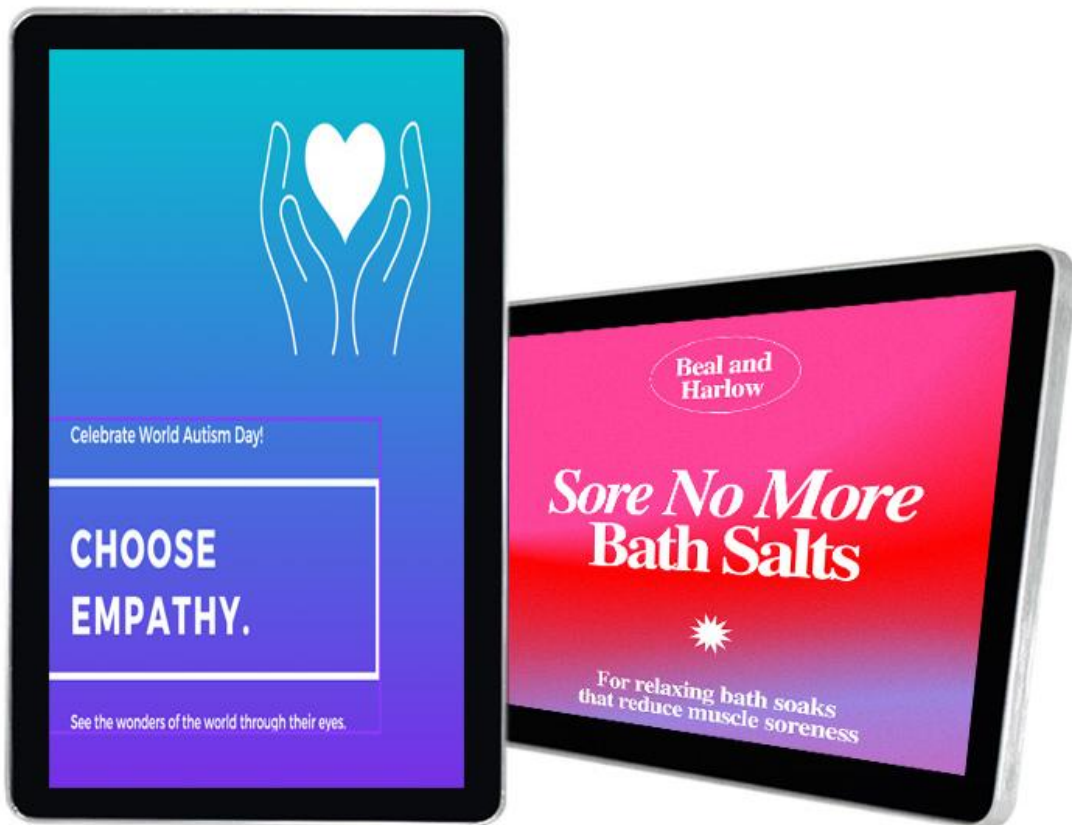


## WALL MOUNT DIGITAL SIGNAGE



### Product Features:

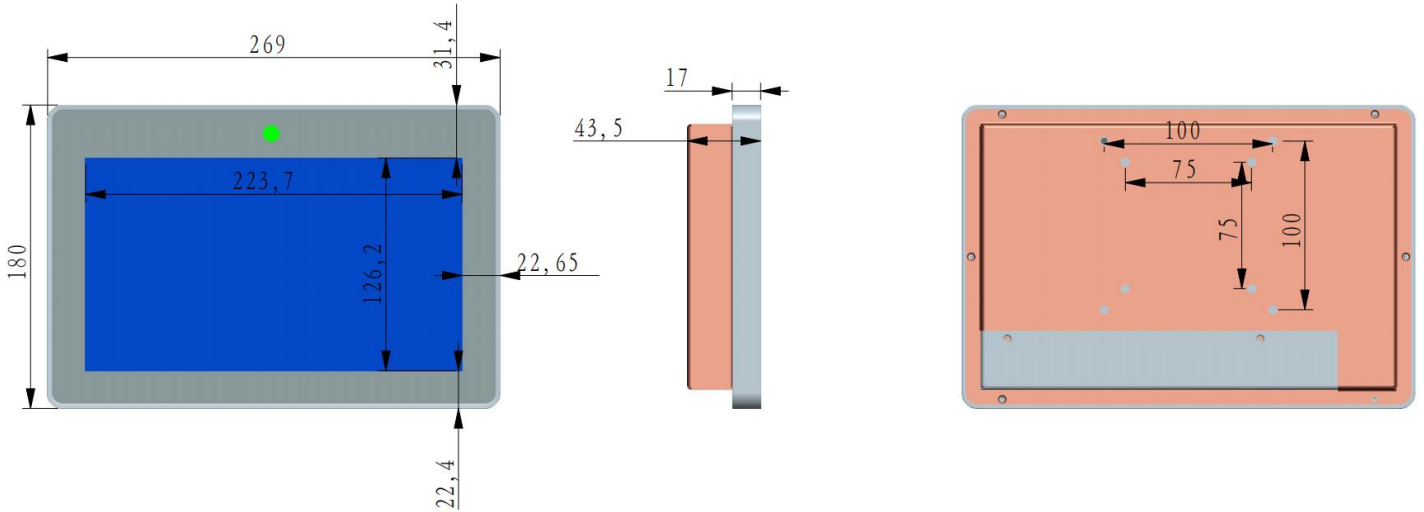
1. 10.1inch to 27inch available
2. Full HD display, super slim design
3. 3mm tempered glass in front for protection
4. Flexible structure for standalone, android or PC system
5. Support both landscape and portrait wall mounting
6. Wide application for retail signage, kitchen display, shopping malls, hotels, restaurants, etc.

Items	V010WDS01	V015WDS01	V018WDS01	V021WDS01	V024WDS01	V027WDS01
<b>Display</b>						
Panel Size	10.1inch	15.6inch	18.5inch	21.5inch	23.6inch/24inch	27inch
Active Area	216.96(H)×135.6(V) mm	344.1m(W)×193.6mm(H)	409.8mm(W)×230.4mm(H)	476.64mm(W)×268.11mm(H)	525.5mm(W)×297mm(H)	595.769mm(W)×343.712mm(H)
Aspect Ratio	16:9	16:9	16:9	16:9	16:9	16:9
Contrast Ratio	1000:1	1200:1	1200:1	1400:1	1400:1	4000:1
View angle	170°(H/V)	178°(H/V)	178°(H/V)	178°(H/V)	178°(H/V)	178°(H/V)
Brightness	300nits	300nits	300nits	300nits	300nits	350nits
Resolution	1280*800	1920*1080	1366*768	1920*1080	1920*1080	1920*1080
Panel Life	50000hours	50000hours	50000hours	50000hours	50000hours	50000hours
Support Color	16.7M	16.7M	16.7M	16.7M	16.7M	16.7M
Response Time	5ms	8ms	8ms	8ms	8ms	8ms
<b>Touch parameter (optional)</b>						
Touch technology	PCAP Touch					
Touch type	10-point high precision					
Touch resolution	32768*32768/ 4096*4096					
Touch accuracy	±2mm (more than 90% touch area)					
Touch Tool	finger,touch pen,soft pen or finger with gloves					
Response Time	<6ms					
Writing Height	<2mm					
Operating system	Windows/Linux/Mac/Android/Chrome					
<b>Android system options</b>						
Android option 1	CPU	<b>RK3288</b> , quad core, main frequency 1.8GHz				
	RAM+ROM	Standard configuration 2G+8G, optional with 2+16G,4+32G,4+64G;				
	Android system	Android 7.1/Android 10				
Android option 2	CPU	<b>RK3399</b> , hexa-core, main frequency 2.0GHz				
	RAM+ROM	Standard configuration4G+32G, optional with 4+64G;				
	Android system	Android 7.1/Android 10				
Android option 3	CPU	<b>RK3566</b> , quad core, main frequency 1.8GHz				
	RAM+ROM	Standard configuration 2G+16G, optional with 4+32G;				
	Android system	Android 11				
Android option 4	CPU	<b>RK3568</b> , quad-core, main frequency 2.0GHz				
	RAM+ROM	Standard configuration 2G+16G, optional with 4+32G;				
	Android system	Android 11				
Android option 5	CPU	<b>972T</b> , quare core, main frequency 1.9GHz				
	RAM+ROM	Standard configuration 2G+16G, optional with 4+32G;				
	Android system	Android 9.0				
Wireless	WIFI support					
Bluetooth	4.0					
Ethernet	1,10M/100M self-adapting Ethernet					
Ports	2*USB,1*TF, 1*HDMI out, 1*LAN, 1*DC					
System language	Chinese (Traditional/Simplified), English, Russian, French, Spanish, Portuguese, Arabic, Italian, Japanese, Korean, Polish, Thai, etc					

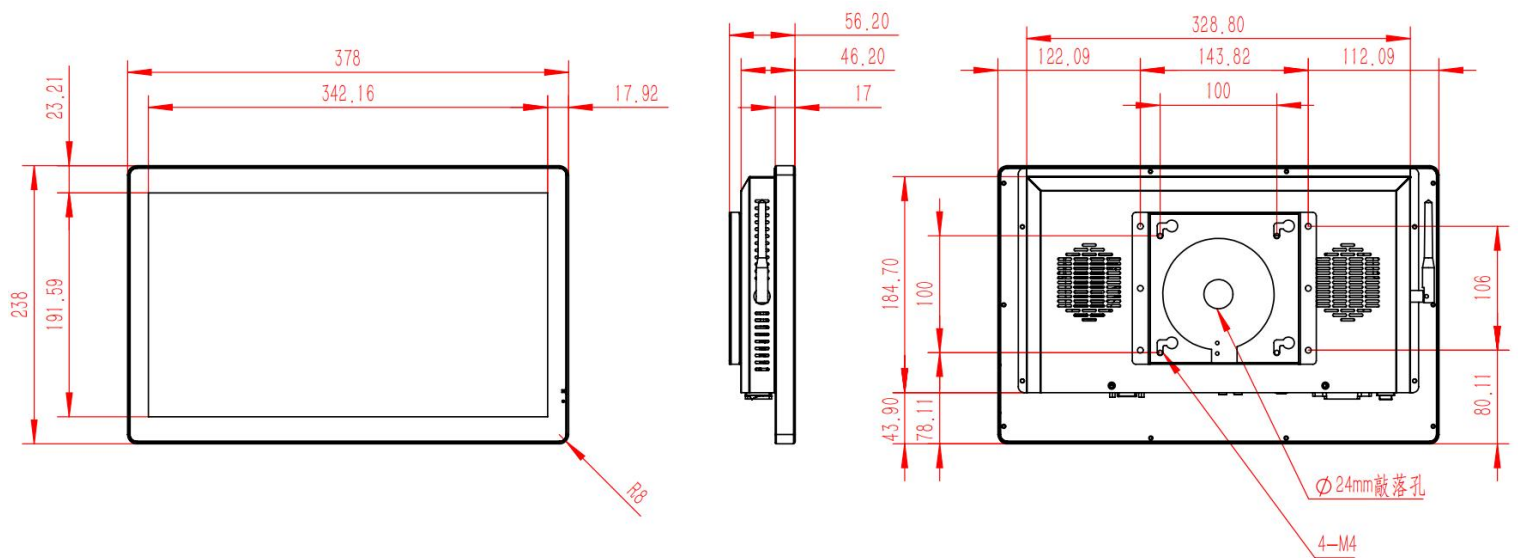
Items	V010WDS01	V015WDS01	V018WDS01	V021WDS01	V024WDS01	V027WDS01
<b>PC system(optional)</b>						
Processor (optional)	i3: i3-3110M/i3-3120M, dual core, frequency 2.4GHZ DDR3 i3-4000M,dual core, frequency 2.4GHZ DDR3 i3-6100U,dual core, frequency 2.3GHZ DDR3/DDR4 i5: i5-3210M/i5-3230M, dual core, frequency 2.5Ghz DDR3 I5-4200M,dual core, frequency 2.5Ghz DDR3 I5-6200U,dual core, frequency 2.5Ghz DDR3/DDR4 i7: i7-4600M,dual core, frequency 2.9Ghz DDR3 <b>Any processor specs. can be customized</b>					
RAM (optional)	4GB/8GB/16GB optional					
Graphics	Intel UHD Graphics 600/630					
SSD/HDD (optional)	128GB/256GB/512GB M.2 SATA SSD					
USB ports	6					
Ethernet port	1*LAN RJ45(Gigabit)					
Wireless	Wifi 802.11 a/b/g/n/ac 2.4GHz and 5GHz					
Bluetooth	optional					
Audio Ports	1*3.5mm line out					
Operation system	Windows 10 pro (trial version unlicensed)					
<b>Audio</b>						
Speaker	2*8 Ω 5W					
<b>Power Supply</b>						
Voltage	AC 110V-240V, 50HZ/60HZ					
Working power consumption	10W	20W	23W	30W	35W	40W
Standby power consumption	0.5W	0.5W	0.5W	0.5W	0.5W	0.5W
<b>Environmental</b>						
Operating Temperature	0°C to 40°C (32°F to 104°F)					
Storage Temperature	-15°C to 55°C (-5°F to 131°F)					
Operating Humidity	20% to 80% non-condensing humidity					
Storage Humidity	20% to 90% non-condensing humidity					
<b>Physical specifications</b>						
Panel Dimensions	269*180*43.2mm	376*236*46.2mm	443*267*46.2mm	508*305*46.2mm	557*333*46.2mm	644*383*49.4mm
Packed Dimensions	400*150*300mm	500*150*300mm	520*150*420mm	650*150*450mm	700*150*470mm	750*150*500mm
Net Weight	2.5kg	3kg	4kg	5kg	7kg	10kg
Packed Weight	4kg	5kg	7kg	8kg	10kg	13kg
VESA Mount Dimensions	100×100mm	100×100mm	100×100mm	100×100mm	100×100mm	100×100mm
Accessories	Power cable 1.5m*1, Touch USB cable*1(optional), wall mount bracket*1,WIFI antenna*1, key*2					
Certifications	CE FCC ROHS CB					
Warranty	One year					

## Technical Drawings:

### 10.1inch drawing:

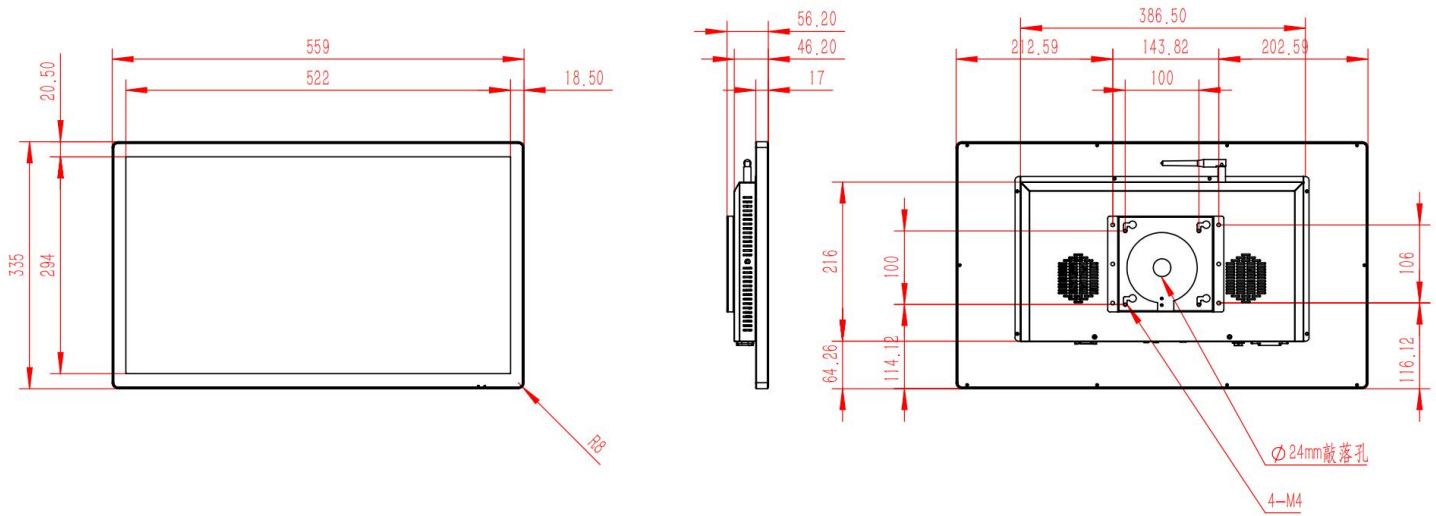


### 15.6inch drawing:

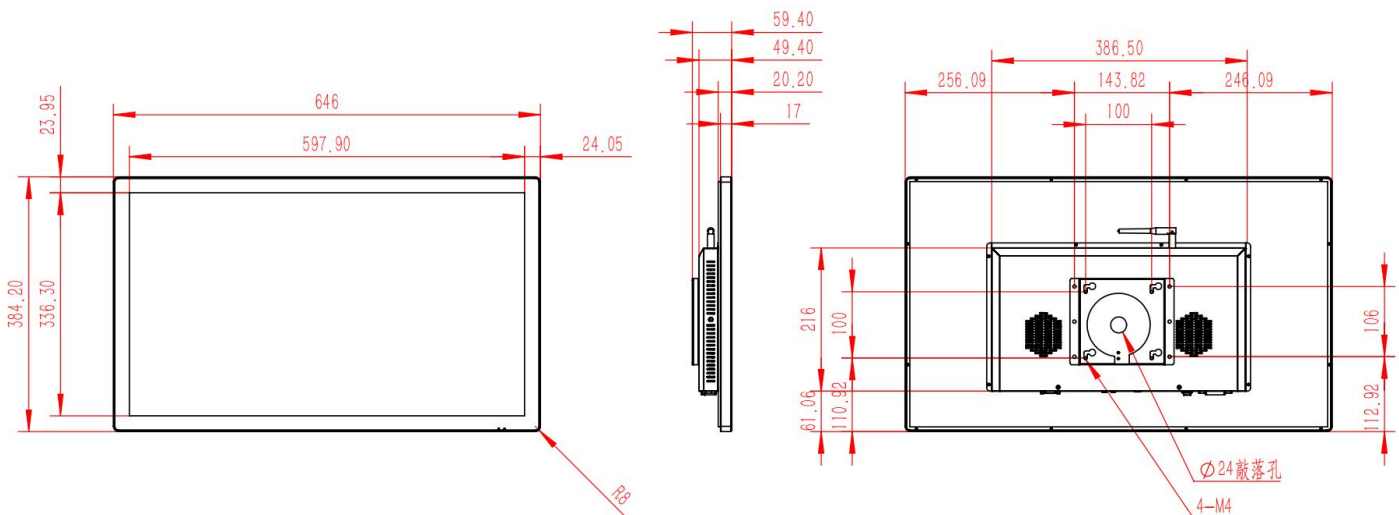




## 24inch drawing:



## 27inch drawing:



### Statement:

The appearance, size and weight may be slight different from the actual product due to the configuration and manufacturing process, and the product images are only used for description. The delivery of the product shall be subject to the specific order details.